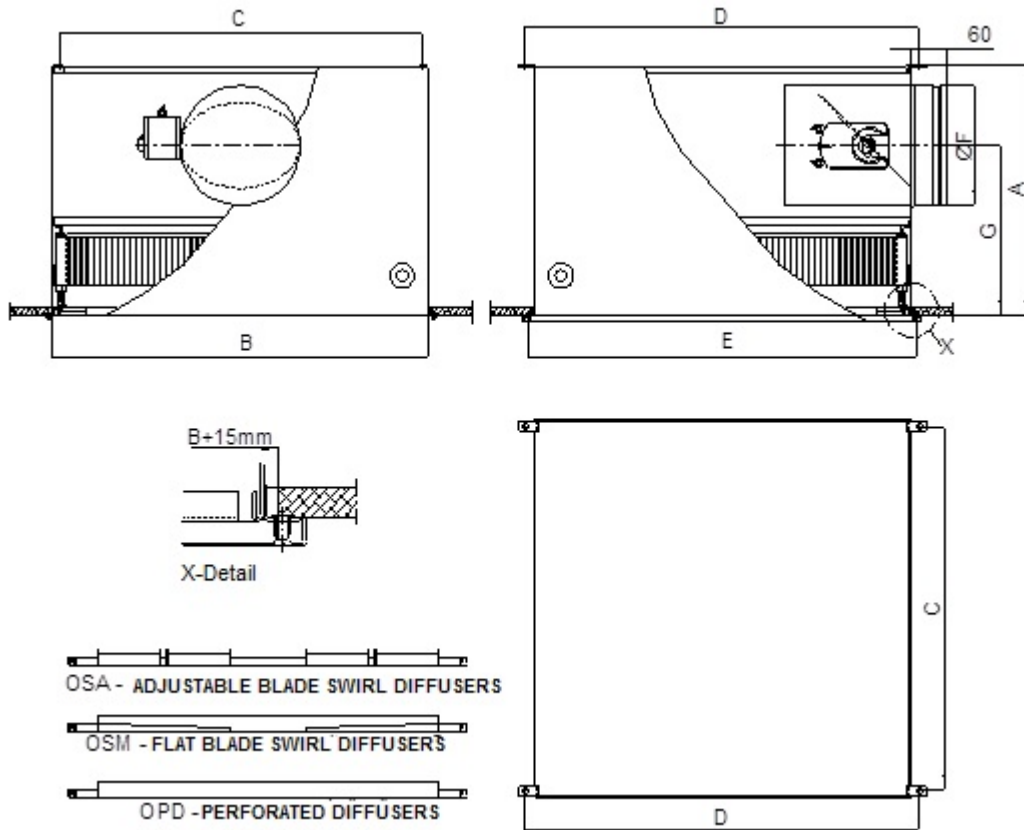


Project:
 Tag:
 Engineer:
 Contractor:
 Date:

Submittal: HFB

Hospital Hepa Filter Box with Hepa Filter

Models: HFB-1 Duct Collar Connection Side
 HFB-2 Duct Collar Connection Top



FilterType	Filter Size(mm)	A	B	C	D	E	F	G
A	305 x 305 x 78	363	318	294	347	334	148	256
B	457 x 457 x 78	400	470	446	499	486	198	274
C	535 x 535 x 78	400	548	524	577	564	198	274
D	575 x 575 x 78	400	588	564	617	604	198	274
E	610 x 610 x 78	400	623	599	652	639	198	274

Notes: (check if provided)

1. Available Finishes	2. Available Accessories	3. Available Options	4. Construction Details
Standard Finish: White Anti-Microbial Epoxy Finish Custom Color:	Manuel Damper Damper with Motor Select Diffusers *OSA *OSM *OPD	Inlet Location Side Inlet Top Inlet Rectangle Inlet Oval Inlet HEPA-Lert Filter Monitor Battery 24V Supply (1) Pressure Port (2) Pressure Ports	ULPA Filter HEPA Filter Foil-Backed Insulation ● Metal Sheet (standard) ● 304 Stainless Steel (optional) ● 316 Stainless Steel (optional) Aluminum (optional)

Revision:	Date: 01/01/2019	Dimensions are in metric	Page: 1 of 1
-----------	------------------	--------------------------	--------------